

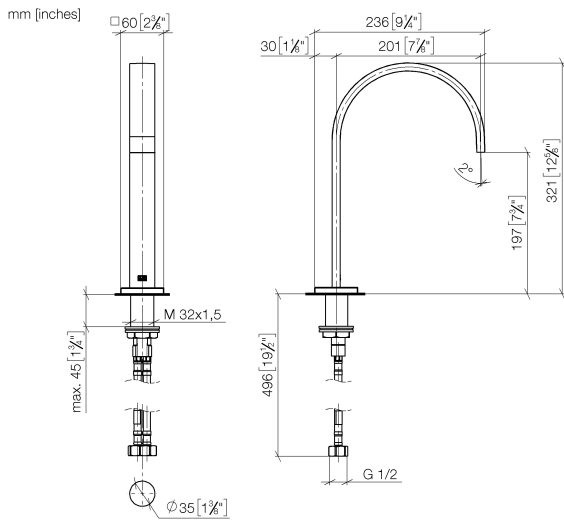
13 716 782



- 200mm projection
- fixed spout
- rectangular, air-enriched flow
- height of mixer 321 mm
- height up to aerator 190 mm
- hole diameter 35 mm
- rosette 60 x 60 mm
- 2x screw-in M 10 x 1 pressure hose, leak-tested
- 1/2" connection
- max. flow 5.7 l/min
- lead-free
- This product can help a building meet the requirements of Green Building Rating Systems, e.g. LEED®, BREEAM®, DGNB

|   |                                |               |
|---|--------------------------------|---------------|
|  | Chrome                         | 13 716 782-00 |
|  | Brushed Platinum               | 13 716 782-06 |
|  | Platinum                       | 13 716 782-08 |
|  | Dark Chrome                    | 13 716 782-19 |
|  | Brushed Durabronze (23kt Gold) | 13 716 782-28 |
|  | Brushed Champagne (22kt Gold)  | 13 716 782-46 |
|  | Champagne (22kt Gold)          | 13 716 782-47 |
|  | Brushed Dark Platinum          | 13 716 782-99 |

13 716 782



**Flow rate chart**

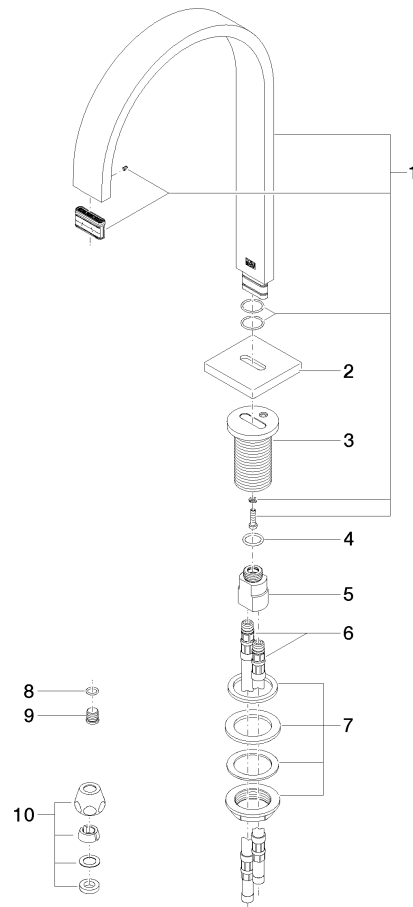


**Certificates**

LGA\_28441.

GDV\_0400289.

13 716 782



Spare parts list

| No. | Item Number        | Name               | Quantity used | Delivery time |
|-----|--------------------|--------------------|---------------|---------------|
| 1   | 90 28 22 155 01-00 | spout              | 1             | 10            |
| 2   | 09 27 78 034-00    | rosette            | 1             | 10            |
| 3   | 09 11 10 054 10 90 | connection         | 1             | 2             |
| 4   | 09 14 10 130 90    | seal               | 1             | 2             |
| 5   | 09 11 10 055 10 90 | connection         | 1             | 2             |
| 6   | 04 30 04 016 00 90 | hose               | 2             | 60            |
| 7   | 04 23 10 009 01 90 | fixing set         | 1             | 2             |
| 8   | 90 14 10 060 00 90 | seal               | 1             | 2             |
| 9   | 09 31 20 065 90    | plug               | 1             | 2             |
| 10  | 90 23 30 040 00-00 | threaded connector | 2             | 10            |